



High Speed Doors

Dennison•Doors

- ✦ Rapid roll-up doors with auto-repairing full curtain
- ✦ Rapid roll-up doors
- ✦ Rapid folding doors
- ✦ Flexible wing doors and strip doors

Rapid Doors: a complete range for any type of service



Rapid roll-up doors with auto-repairing full curtain

Sector Reset PAGE 8

Smart Reset PAGE 10



Rapid roll-up doors

Sector Plus PAGE 12

Smart Plus PAGE 14



Rapid folding doors

Traffic C PAGE 16

Traffic CM PAGE 18



Flexible wing doors and strip doors

Flap Doors PAGE 20

Strip Doors PAGE 21

PERFORMING SAFE

Our **rapid industrial flexible doors** are **simple and easy to adapt** to the most diverse requirements and guarantee functionality, safety and efficiency, in full compliance with regulatory requirements.

They provide simple and rapid access and optimise the flow of people, goods or equipment and products. Fast opening speeds shorten the passage time, improving efficiency and reducing heat loss by minimizing opening times.

Our flexible doors, which can be used both as interior doors between two industrial areas and as transit zones to the outdoors, optimise logistics, provide insulation by eliminating drafts of air and heat loss, and reduce noise pollution and dust deposits.

The fast opening and closing speeds and the small size make them ideal for areas with a high flow of people, carts or trolleys and vehicles.

Efficient goods management makes it possible to save time and reduce costs, in addition to reducing the environmental impact and improving delivery times to customers.

The curtains are made of transparent PVC or polyester and come in a vast range of colours: the transparent curtain solution allows occupational safety to be improved, facilitating easy and rapid passage crossing, and the wide colour availability allows the doors to be adapted to your company colours.



Technical specifications

Modular

The modular system of the flexible, folding or roll-up curtains is an important feature of our doors and allows damaged sections to be replaced easily and quickly.

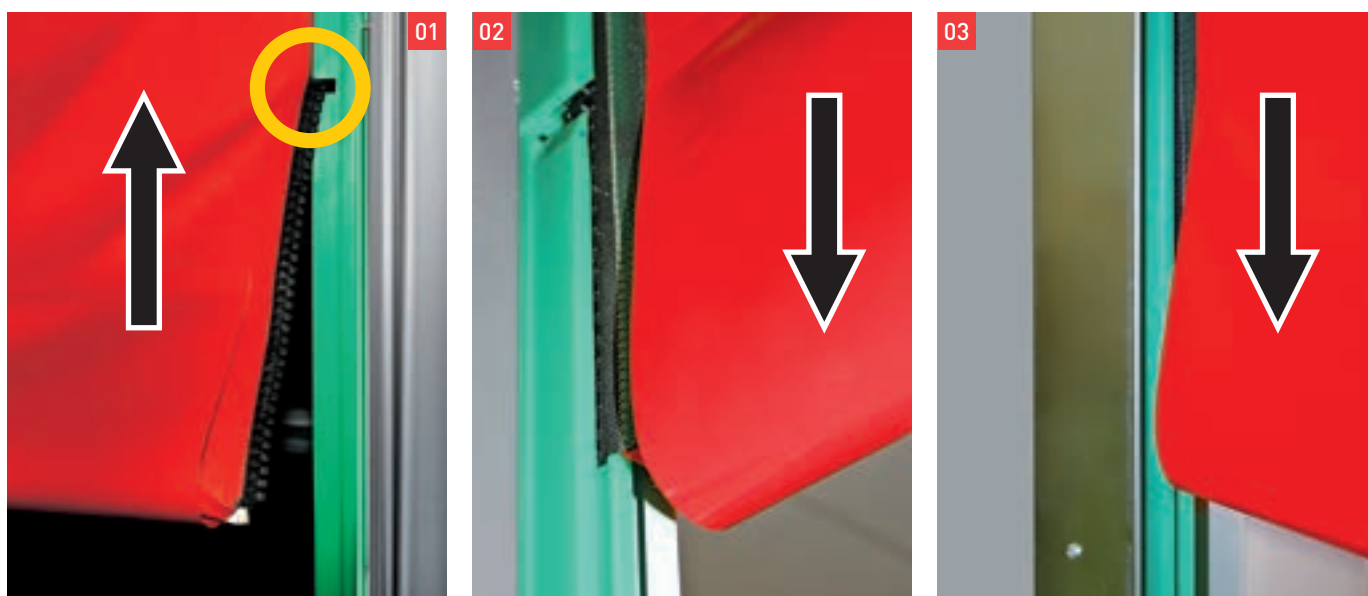
Flexible

Upon request, the motor can be equipped with an INVERTER*motion* system for different speeds, acceleration and braking control, ensuring high performance. It is easy to adjust speeds.

Self-Repairing

Industrial doors installed in busy settings do occasionally get bumped by vehicles, which can result in downtime during repair **01**.

The Sector Reset and Smart Reset roll-up doors are however equipped with a self-repairing system **02** capable of automatically resetting the door after an impact **03**.



Adjustable for a long life and greater economy

The fast and silent sliding of the rapid doors with variable frequency control allows the company processes to be optimised and reduces loss of heat and drafts of air in the work place.

In addition, thanks to the start-up and slower braking, overloads of the entire mechanics are avoided, guaranteeing a longer life of the gate in the various fields of application.

Can be silk screened

For the Sector Reset there is the possibility of creating partial or total silk-screens **04** and digital prints, to meet the specific requirements of particular commercial environments.



Transparent

The large window sections available on many models of doors ensure maximum transparency and greater passage of natural light, guaranteeing brighter and safer work places already from afar, thanks to the visual contact.



Emergency Exit (Smart Reset and Sector Reset)

We studied a safe and practical emergency exit you can apply directly on the curtain of both rapid doors in Reset version.

We can obtain the emergency exit thanks to a "T" cut on the curtain, properly held through a velcro system that against a suitable pressure on both the sides, allow a quick breakaway, facilitating the exit in case of emergency; in an easy way the curtain can be ready again for the normal operation.

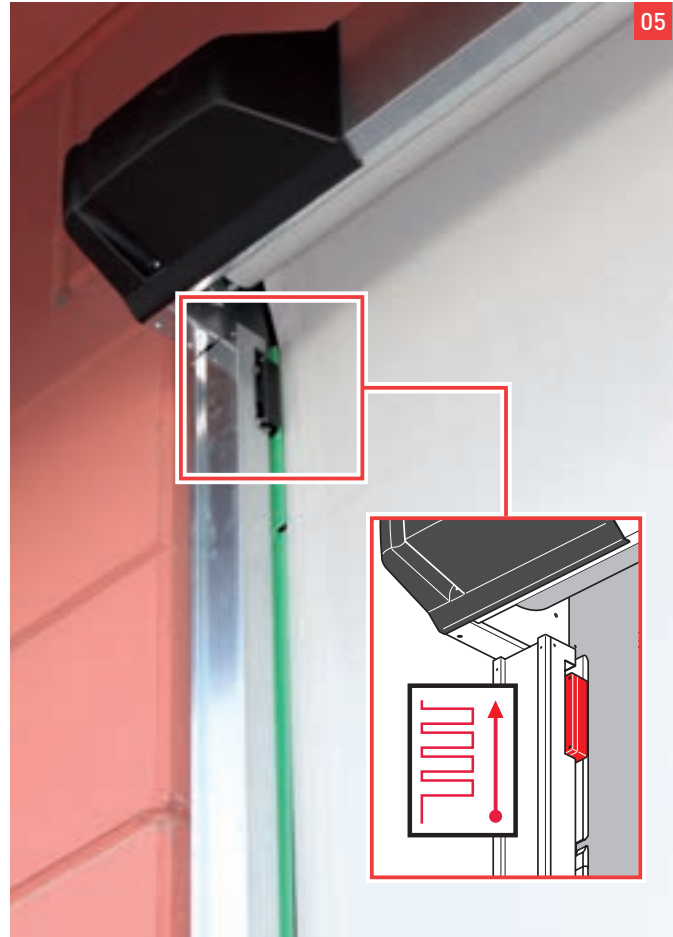


Technical specifications

Safe

Our flexible doors guarantee unmatched levels of safety thanks to two exclusive devices which reduce the risk of injury caused by collisions with the curtain: the electronic Safety Linear Encoder (SLE) system, and the sequential barriers.

The **Safety Linear Encoder, SLE 05**, is a Patent Pending electronic system that reverses the motion of the door if an obstacle prevents its closing. Built into the column, it leaves the curtain free of wires and electrical connections.



Safe without contact

The **sequential safety barriers 06** are composed of a band of infra-red rays which detect even small obstacles located in the line of the closing door.

When at least one ray is broken, the system is activated and the control electronics reverse the movement of the curtain. The bands are progressively deactivated as the door closes.

This modern solution, mounted in line with vertical guides **07**, can protect the entire height of the door and detect people, vehicles and objects within the space, without any contact being necessary.





The image has been deliberately altered to show how the product works

Sector Reset

Self-repairing door, with system of counterweights, for fast access in total safety
Designed for very heavy service

Sturdy and reliable, for a very heavy use

The Sector Reset door is characterised by a sturdy and compact free-standing structure, by a front motor with black ABS protective cover in an exclusive design, easily and quickly accessible for quick checks on the components.

The motor features an optional release device for a semi-automatic emergency reopening system, which can be made completely automatic with the APS system.

High levels of safety

The Sector Reset is noted for a series of significant levels of safety such as the balancing system, the Safety Linear Encoder, SLE, Patent Pending, system and the sequential barriers.

The balancing system with modular counterweights, complete with sturdy traction belts, guarantees a high standard of safe and reliable operation, in addition to extending the life of the door.

The exclusive SLE Safety Linear Encoder, Patent Pending, device constantly controls the movement of the curtain reversing the closing motion in case of obstacles.

The sequential safety barriers protect the closing line of the door blade up to a height of 2.5 m, making the installation of other photocells or bottom safety edges unnecessary.

Tight-sealing, safe, flexible, self-repairing curtains

The curtain slides inside the side hinges making it very resistant to air and static wind pressure (up to 120 km/h). Available in a wide range of colours, it can be provided with standard transparent PVC windows and optional larger windows configured as needed, to meet a vast range of operating and safety requirements.

In addition, there is the possibility of creating partial or total silk-screens and digital prints, to meet the specific requirements of particular commercial environments.



Why choose Sector Reset

Self-repairing system

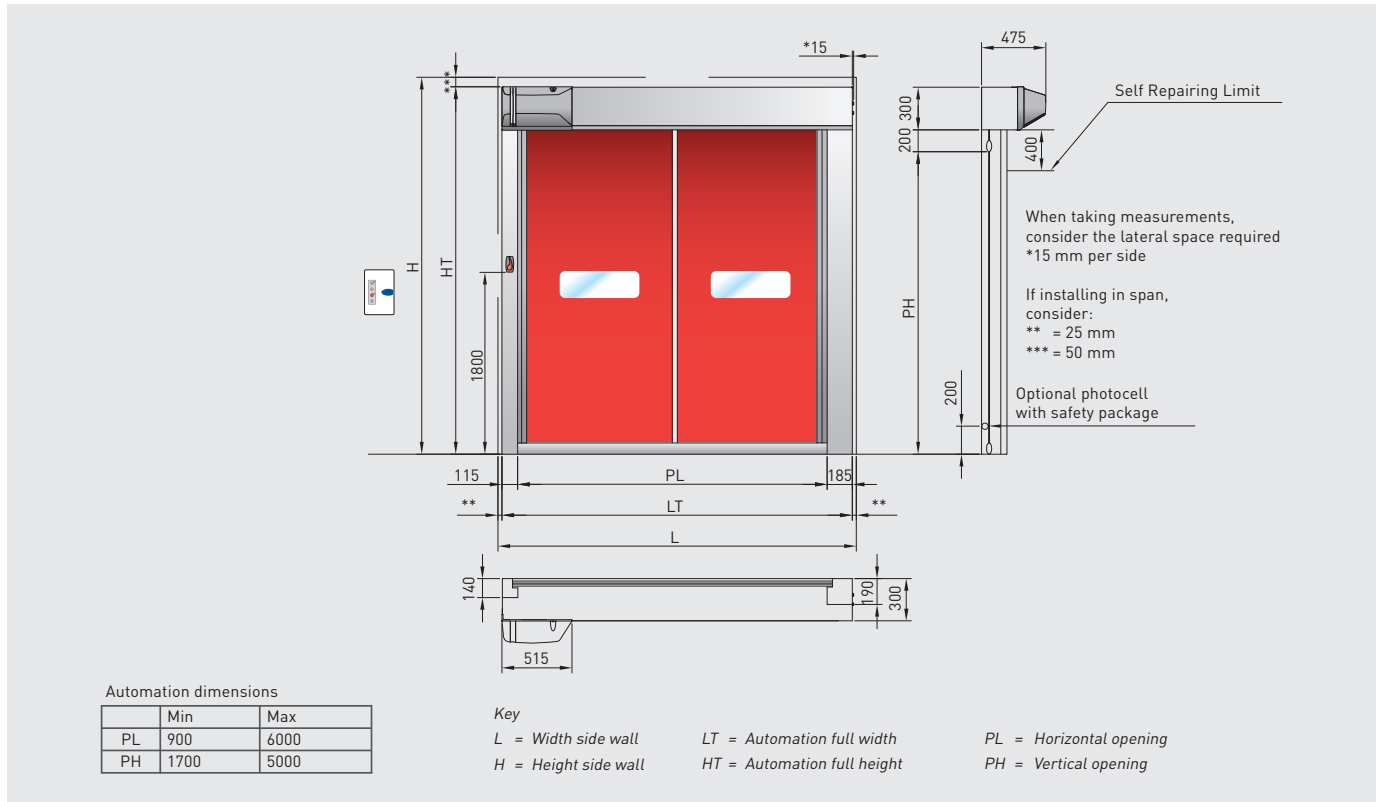
Very high traffic areas

Sturdy, with safe and reliable performance

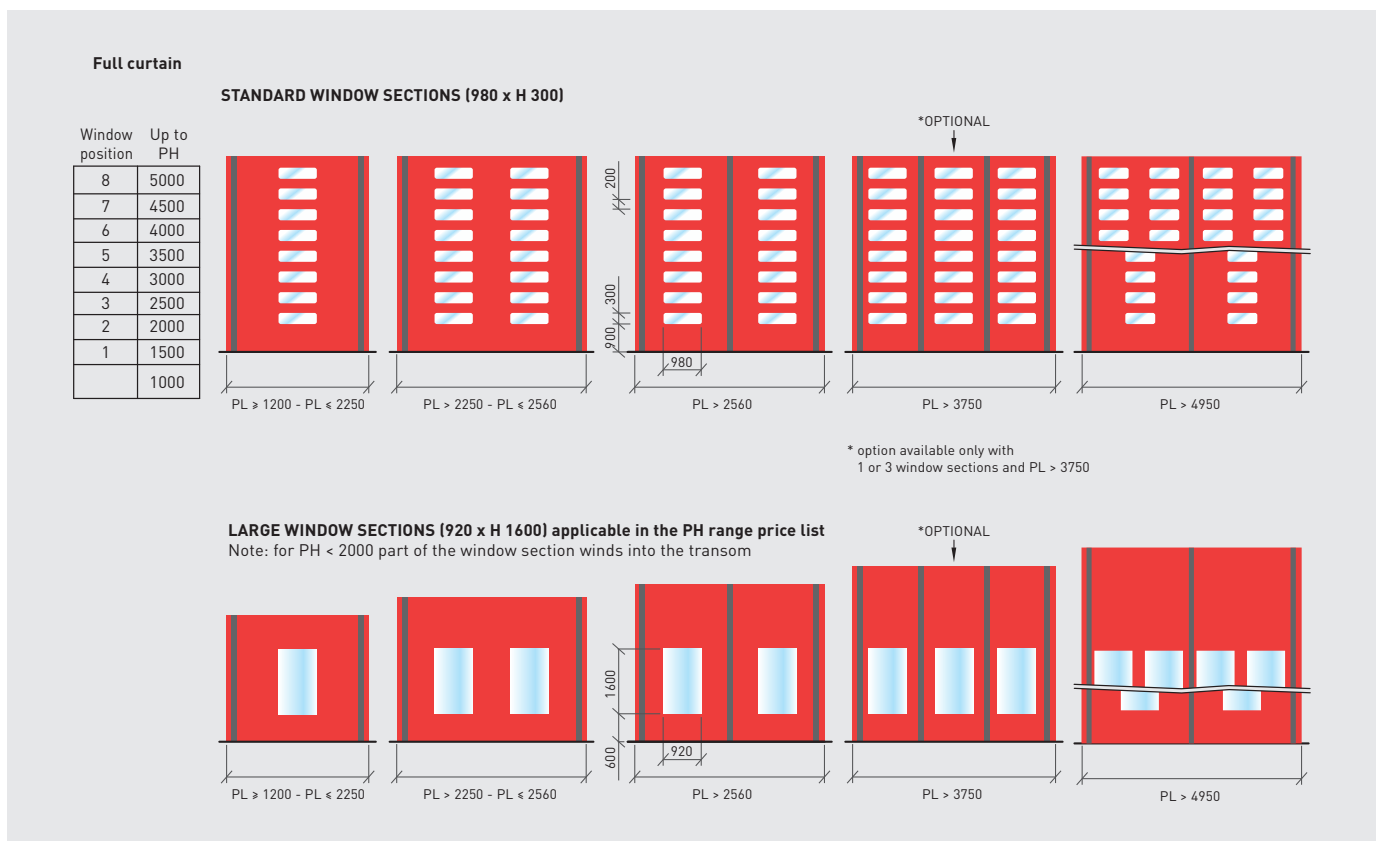
Fast passage

High wind resistance without compromising safety

Dimensional specifications



Flexible curtain features (maximum values)



Smart Reset

Self-repairing, safe and high performance
Simple, reliable and compact

Maximum functionality with the special self-repairing system

Smart Reset offers something unique in its product class: the special and innovative system that makes the door self-repairable. With a simple and automatic opening and closing manoeuvre, the curtain can be retrieved if it accidentally slips out of its housing: after contact with an object, the door resets the first time it is opened.

Simple, reliable and compact

The Smart Reset roll-up door has a sturdy and compact supporting structure, a motor mounted outside the door, easily and quickly accessible for inspection, and components that are well-designed and thoroughly tested. These key features make this door an aesthetic, pragmatic solution which is easy and quick to assemble, safe and reliable.

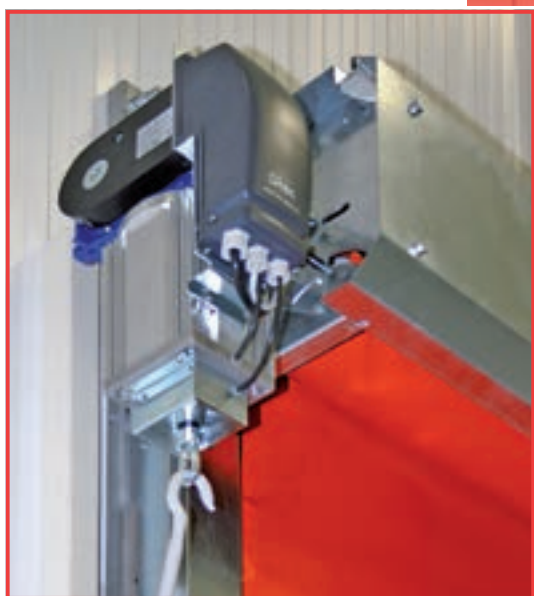
Maximum levels of safety

The door can be equipped with the *INVERTERmotion* system, the exclusive electronic SLE device, and can also be opened manually with an emergency device with a crank handle usable from the ground.

Tight-sealing curtain available in multiple solutions

The flexible curtain is available in the standard or large window section version in transparent PVC, in non-tear polyester in blue, grey or red, insulated in the blue and grey or FDA (Food and Drug Administration) certified white food grade also in conformity with the EC directives for the food industry.

The multiple solutions offered allow the various operational requirements and the different regulations of specific sectors of application to be met, guaranteeing good visibility and improving safety during passage.



Why choose Smart Reset

Self-repairing system

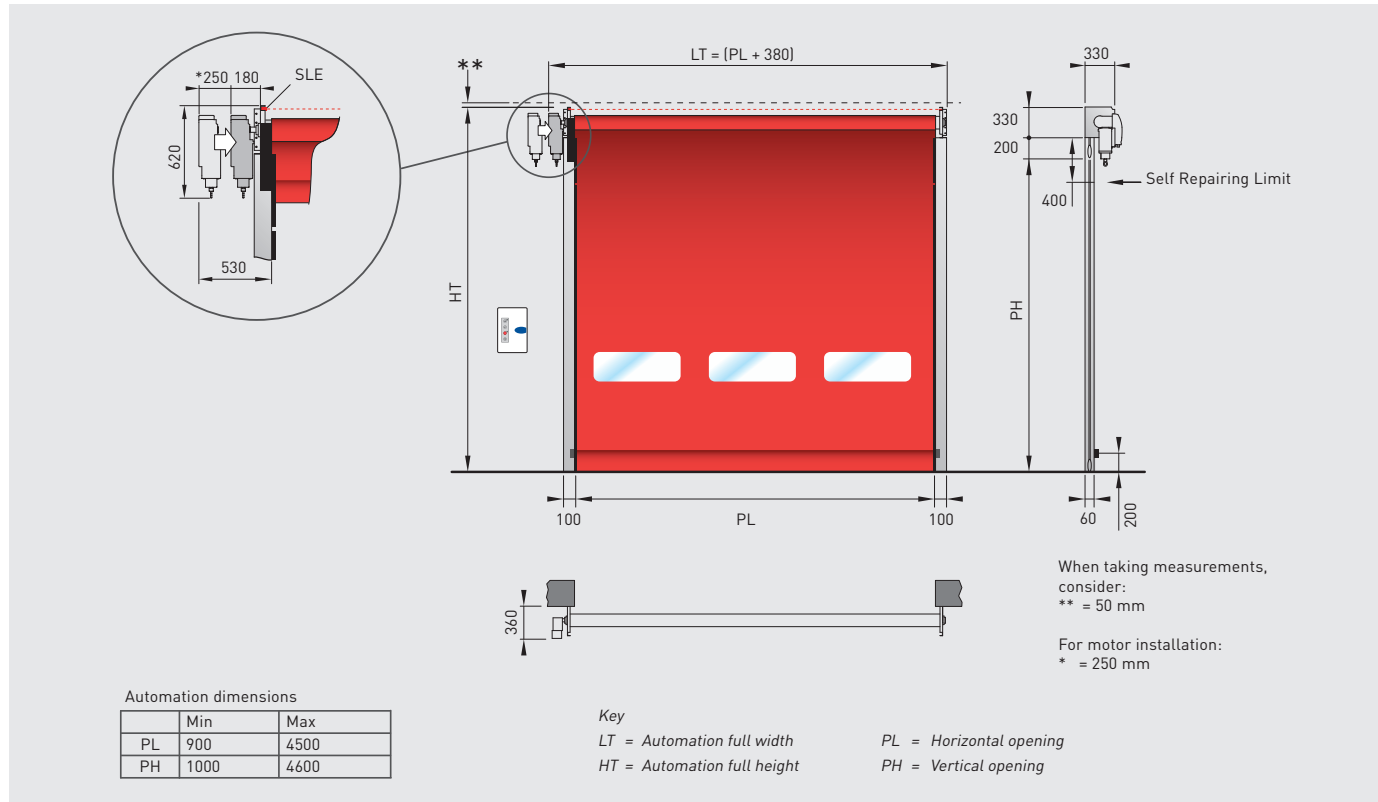
High traffic areas

Limited space

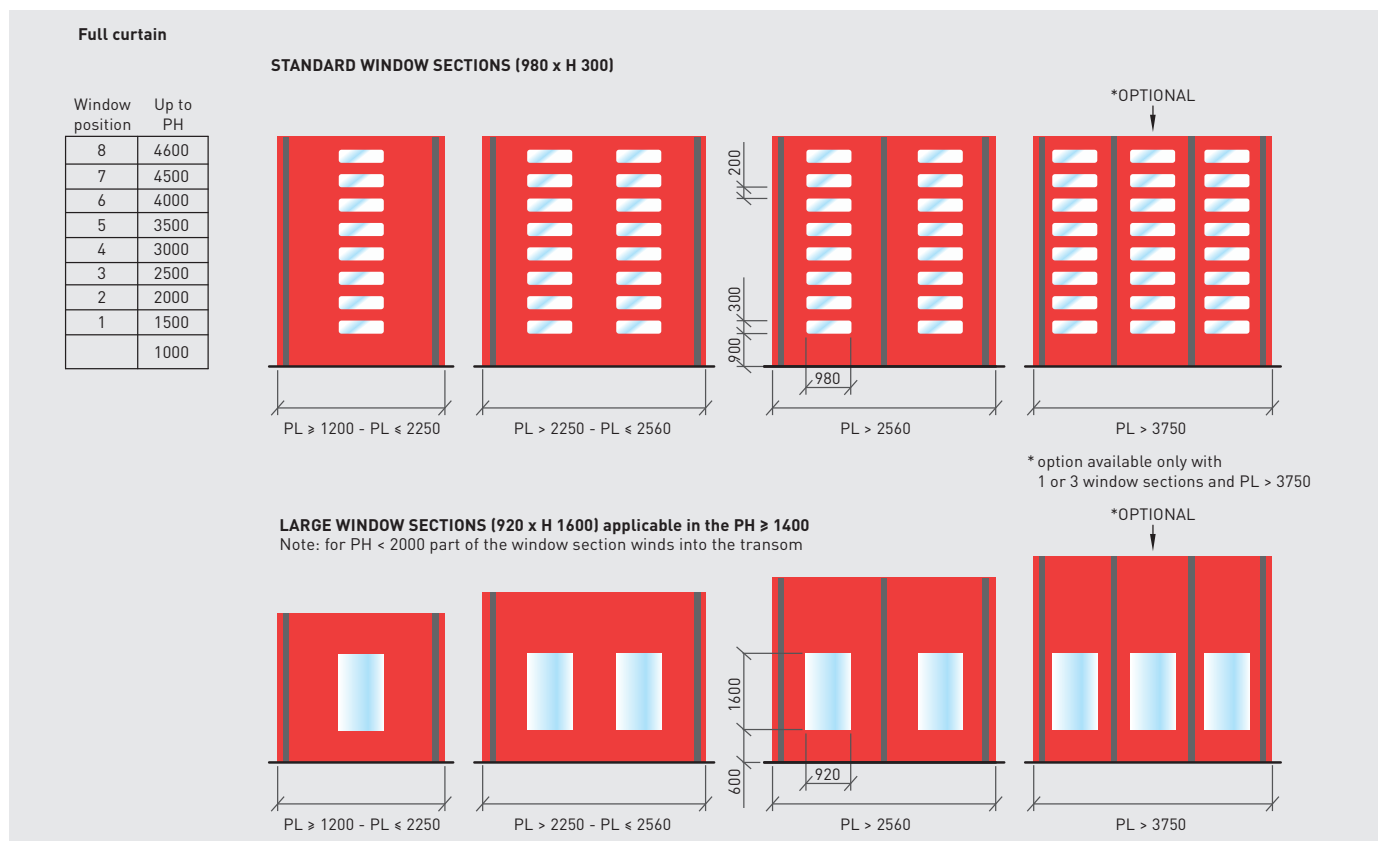
Quick reaction

High wind resistance without compromising safety

Dimensional specifications



Flexible curtain features (maximum values)



Sector Plus

Counterweights ensure safe and reliable high performance
With built-in motors, for perfect aesthetic cleaning

Safe and reliable thanks to the modular counterweights system

Technologically advanced, it has a built-in motor which, operating with the minimum consumption of power, allows energy to be saved and extends the life of the automation. The door features a modular counterweight balancing system with sturdy traction belts ensuring safe, smooth and reliable operation, while extending the lifetime of the door.

Differentiated speed settings for better efficiency

Sturdy, reliable and safe, it is the ideal automatic door for areas that have to quickly handle passage of goods or people, both inside buildings and for areas of transit to the outside.

The INVERTER*motion* systems offers differentiated speed settings, acceleration and braking, high performance and safety.

Sturdy and reliable, it can be easily adapted to every type of context both industrial and commercial, where the speed of access is important: supermarkets, car dealers, warehouses, logistics centres and production plants.

Aesthetic and safe flexible curtains

The flexible curtain in the Sector door is available in a wide range of standard colours or in special colours upon request: even combined with a transparent central section, which allows the most diverse operational requirements to be met, guaranteeing

greater visibility and improving safety during passage through the door.

With built-in motors, for perfect aesthetic cleaning

The built-in motor operates at the lowest possible power, conserving energy and prolonging operator life. Its hidden position allows even problems of an aesthetic type to be resolved without reducing the width of passage.



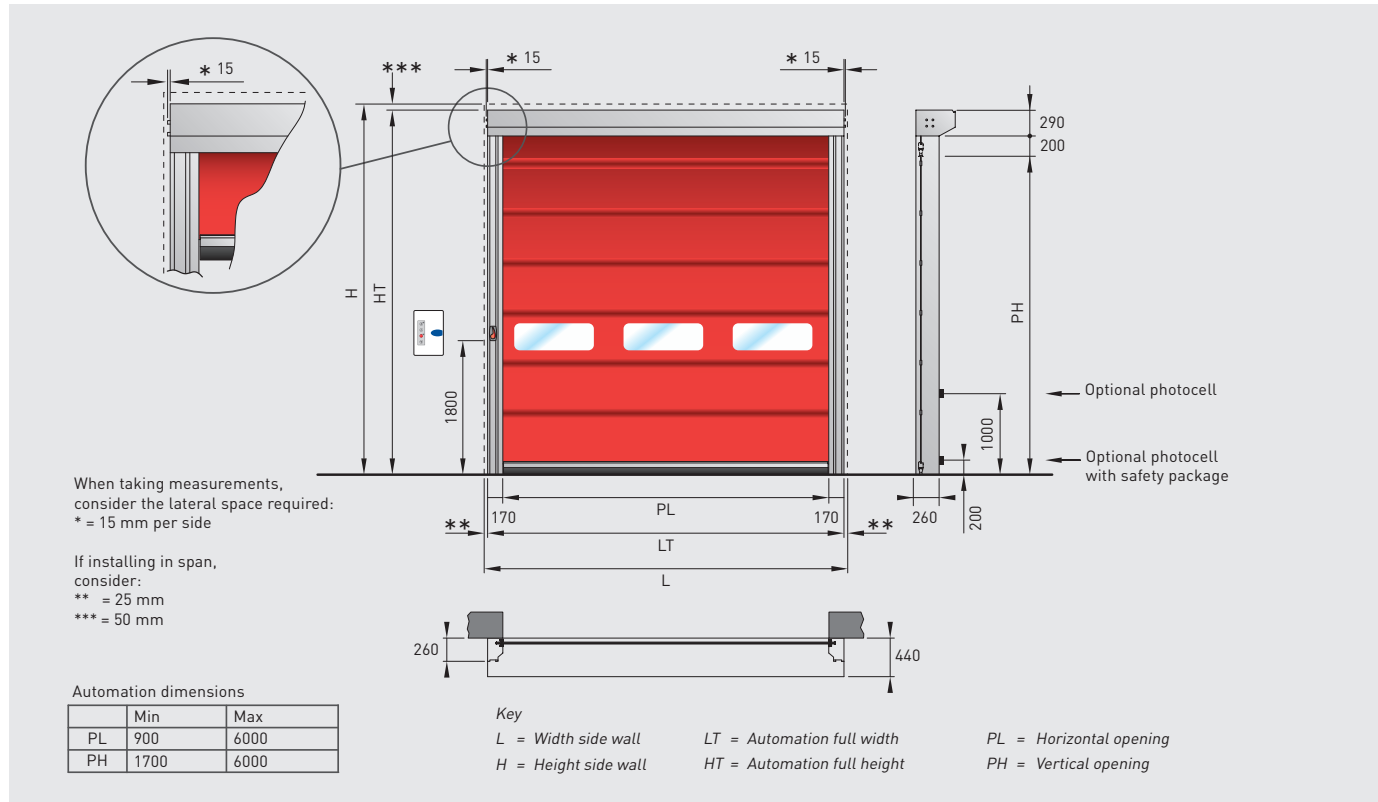
Why choose Sector Plus

Safe and reliable, high performance

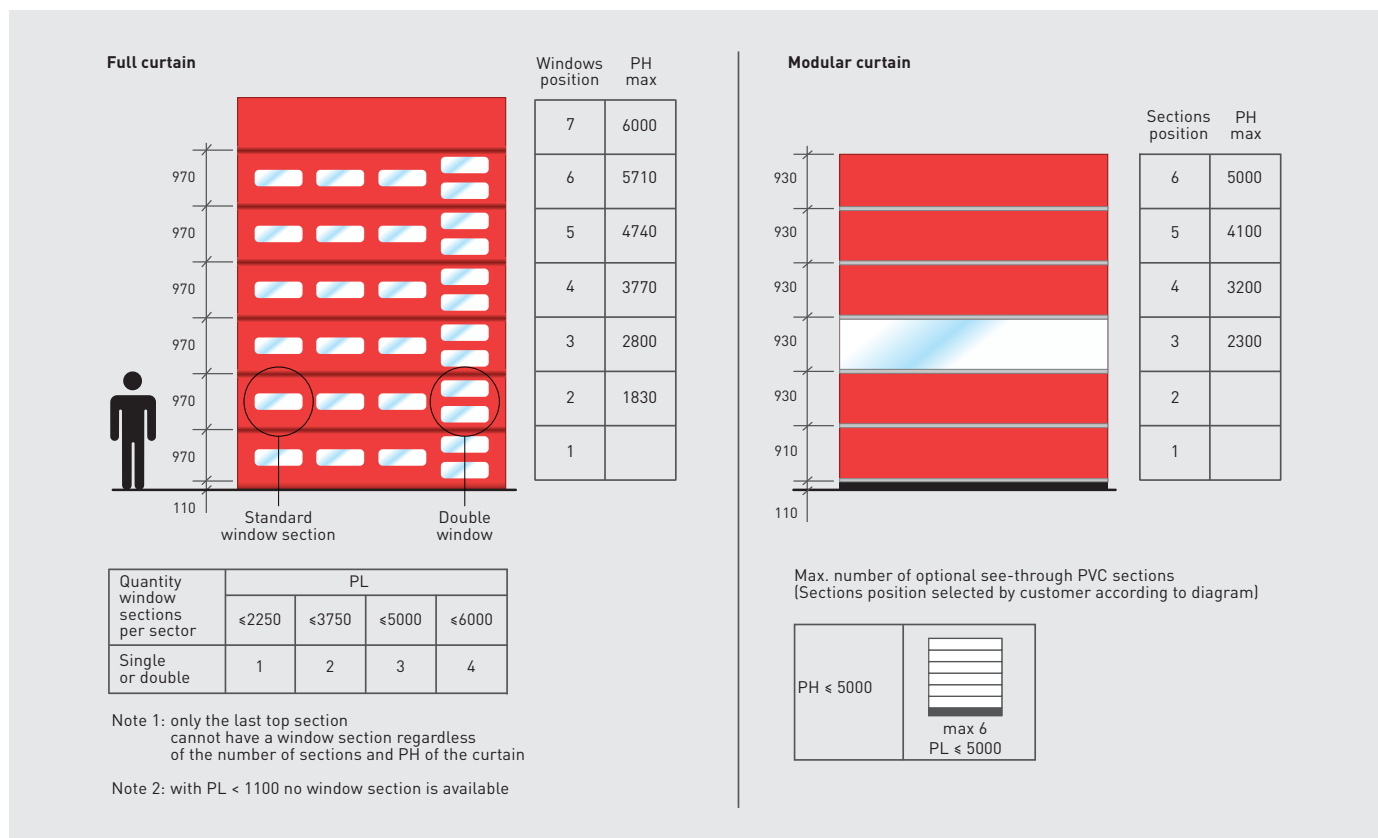
Very heavy-duty use

Aesthetic flexible curtains

Dimensional specifications



Flexible curtain features (maximum values)



Smart Plus

Rational, for fast access in total safety
Simple and compact design

Simple and compact for fast access

Smart Plus is a fast door characterised by rationality, compactness and modularity: these features facilitate their installation and allow operations to be performed without difficulty on all its components.

The sturdy and essential load-bearing structure, the motor and original components, optimally designed and tested along with the modularity of the curtains, are the elements which make Smart Plus a safe door, aesthetic, very pragmatic, easy and fast to assemble and practical during maintenance, inspection and controls.

The extremely small sizes allow installation even where there are problems of space.

Maximum rationality, without giving up aesthetics

The fast Smart Plus doors are not only practical, but also aesthetically pleasing.

In addition to the version with complete curtain, the modular one may be chosen combining the different colours available to the transparent central sector.

Outside mounted motor with speed options

The motor, outside the structure of the door, guarantees maximum performance and easy inspection.

The motor is, furthermore, provided complete with the manual emergency reopening device.

The motor comes on the left outside as standard, but is also available mounted on the right as an option, to better meet the various operational requirements.

Upon request, the motor can be equipped with an *INVERTERmotion* system, ensuring both high performance and safety.

The *SOFT START* and *SOFT STOP* functions, being part of the system, reduce stress on mechanical parts, ensuring reliability while prolonging the lifetime of the door.



Why choose Smart Plus

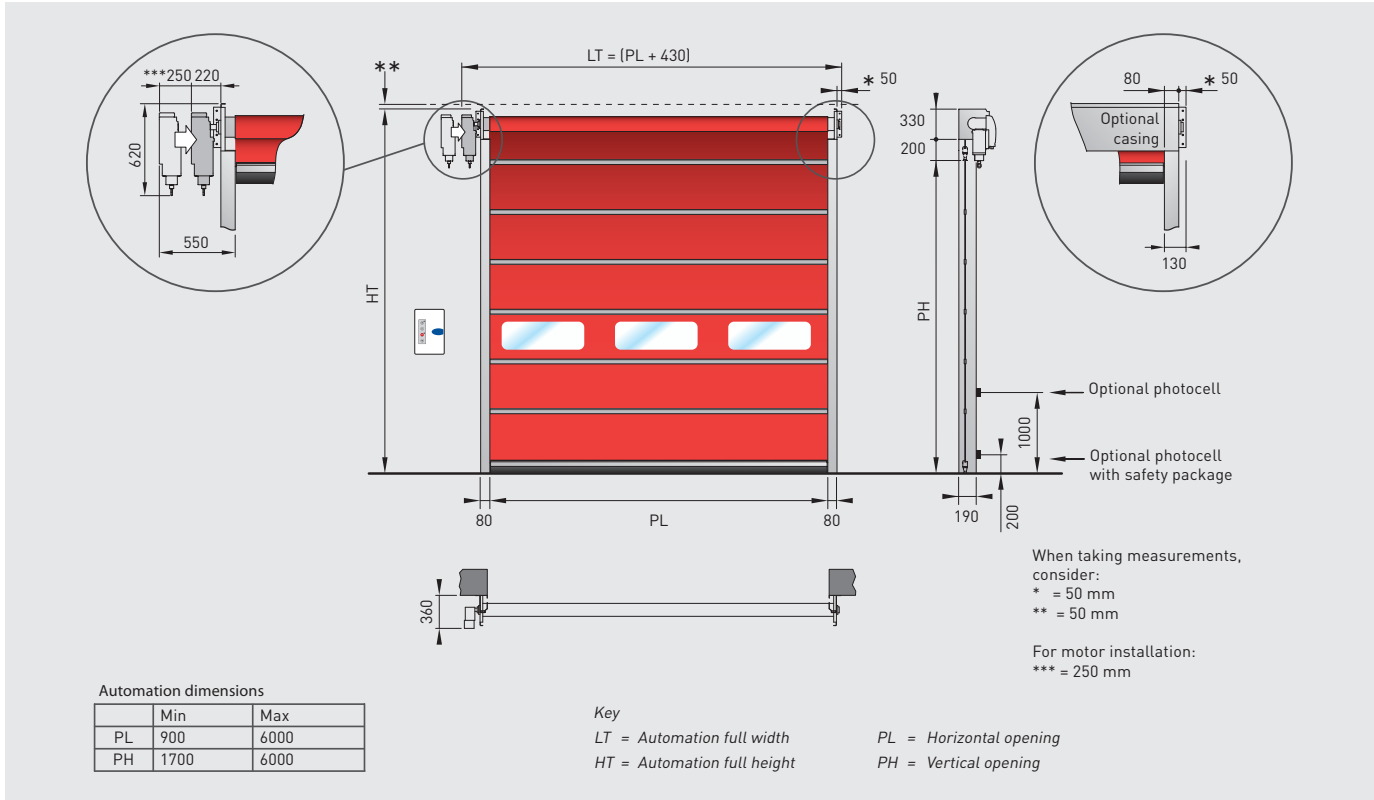
Simple and compact for fast access

Medium traffic

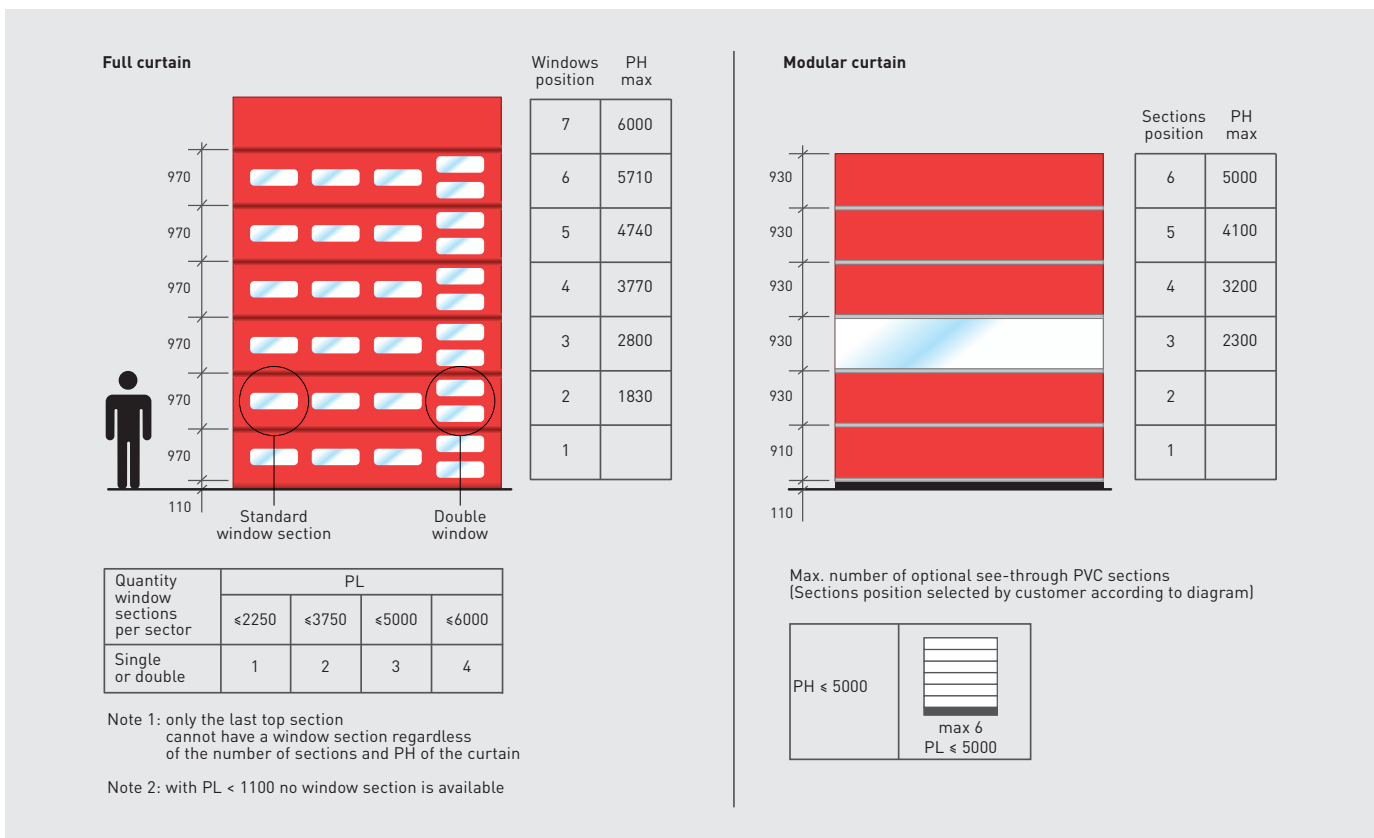
Limited space

Aesthetically styled

Dimensional specifications



Flexible curtain features (maximum values)



Traffic C

Fast, safe and reliable with modular counterweights and *INVERTERmotion*
Ideal for medium to large entrances

Fast, sturdy and reliable in the most diverse conditions

Traffic C is a door with sturdy, reliable and safe folding, capable of offering fast access. The door is suitable for medium to large entrances and works with ease during the most diverse conditions, including in entrances exposed to wind and in special conditions such as low-pressure rooms.

It has a built-in motor, fully concealed in the frame. The motor operates at the lowest possible power, conserving energy and prolonging operator life. Has a modular counterweighted balancing system with strong drive belts ensuring safe, smooth and reliable operation.

The solution of the sequential safety barriers, specifically designed to be mounted near vertical runners, translates into an additional instrument in terms of reliability.

Flexibility of motor speeds

Upon request, Traffic C can be equipped with the *INVERTERmotion* system which provides different speeds, acceleration and braking. The SOFT START and SOFT STOP functions, being part of the system, reduce stress on mechanical parts, ensuring reliability while prolonging the lifetime of the door.

They are ideal for providing quick access to vehicular traffic, and the rapid opening and closing times which minimize indoor temperature changes.

Aesthetic and safe flexible curtains

The flexible curtain is available in a wide range of highly appealing designs. It comes in numerous standard colours, but is also available in special colours on request.

Suitable for windy conditions, the curtain comes in several wind resistant versions that can handle up to 120 km/h static wind pressure resistance.



Why choose Traffic C

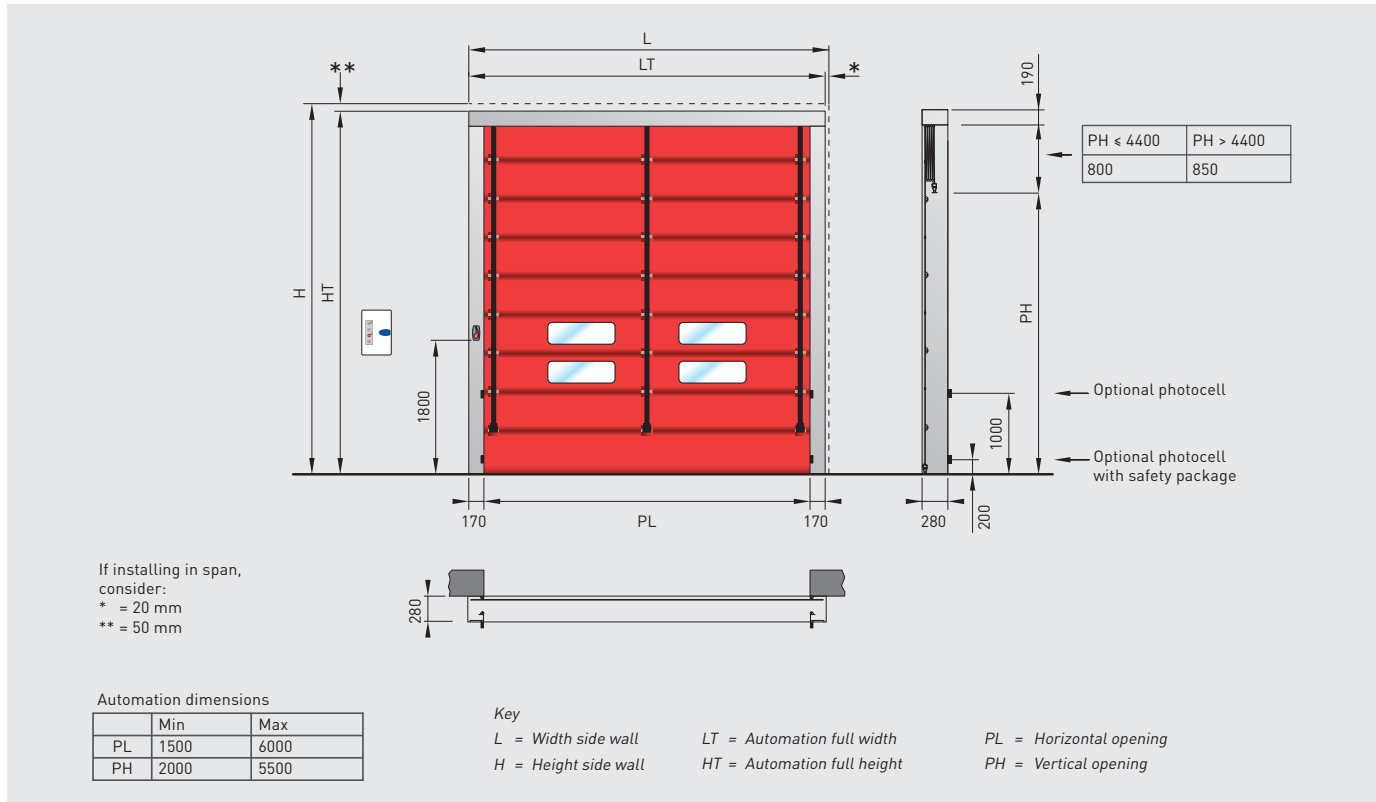
Reliable, fast and safe access in medium and large entrances

Internal and external entrances

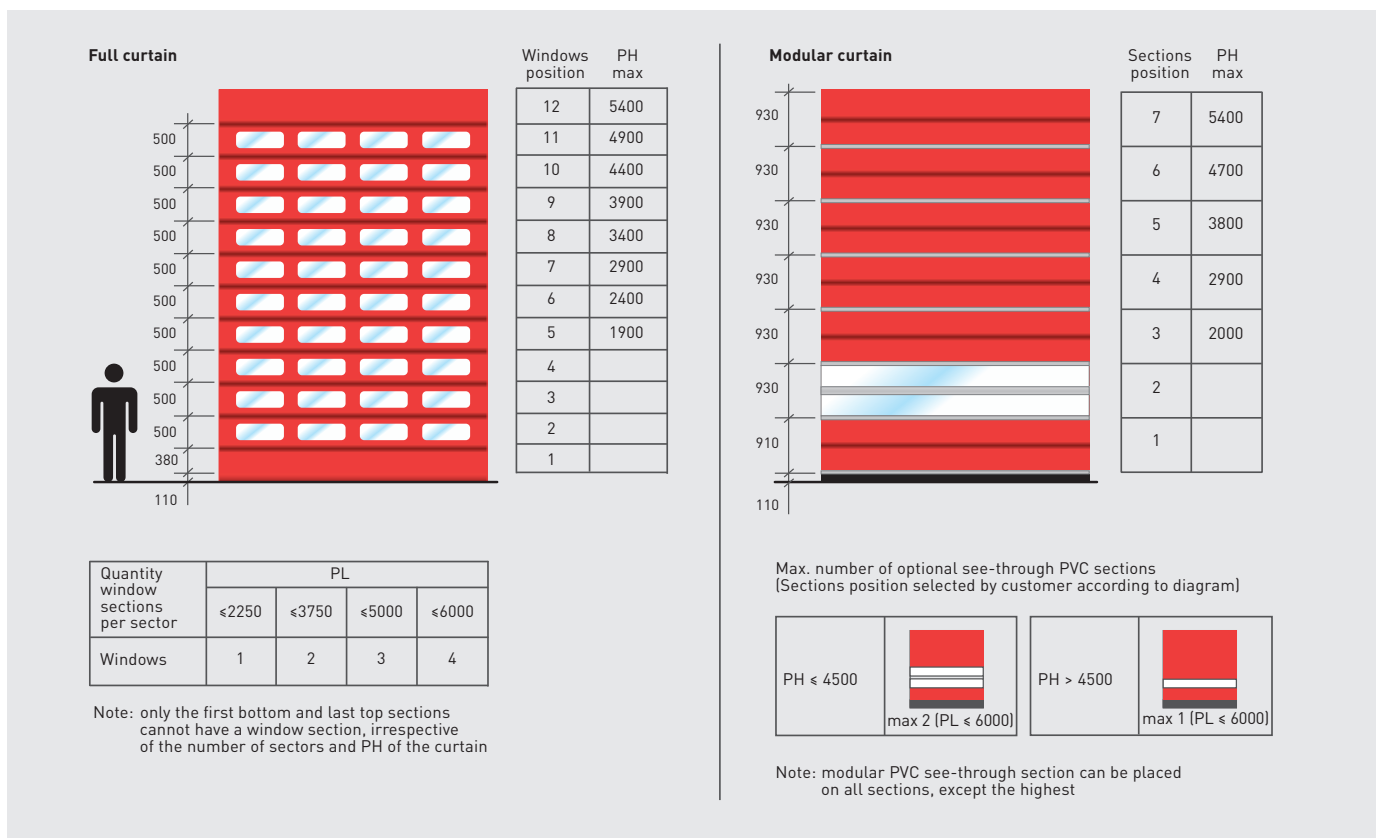
Copes with high wind loads without compromising safety

Speed setting with the optional INVERTER^{motion} system

Dimensional specifications



Flexible curtain features (maximum values)



Traffic CM

Reliable and safe, with modular counterweights and semi-automatic emergency reopening
Tireless, for large openings

Sturdy and reliable for large openings

The Traffic CM door is a sturdy, reliable and safe solution suitable for large entrances. It is the best solution for external entrances exposed to wind and in special conditions such as low pressure rooms.

It features a built-in structure housing the motor, a counterweight balancing system, control and safety devices and a fast semi-automatic reopening device. The counterweighted balancing system ensures high operating standard in terms of performance and safety.

Maximum operational safety is also ensured by photocell sensors in the frame and the special bottom edge.

Flexibility of the motor

Traffic CM has a motor that operates at the lowest possible power, conserving energy and prolonging the operator life.

It is supplied with 1 or 2 motors depending on its size.

Safe flexible curtains

The vertical movement of the door blade is done with lifting belts which raise and progressively gather the different sections in the upper part of the door.

The transparent window sections guarantee better visibility and more safety for those passing through the door or working near it.



Why choose Traffic CM

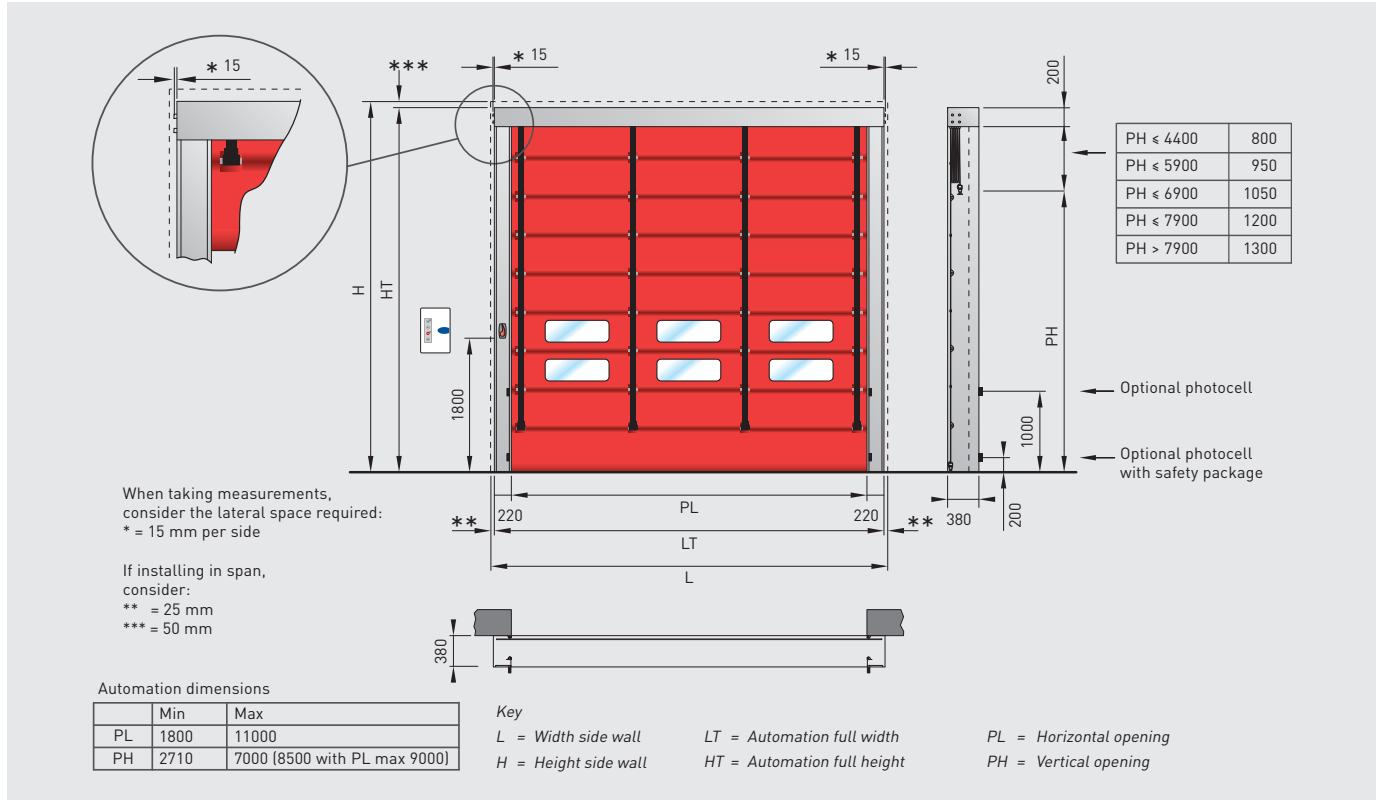
Reliable, fast and safe access for large entrances

Internal and external entrances

Special conditions like strong winds and low pressure rooms

Reliable functionality for entrances in diverse conditions, including windy areas

Dimensional specifications



Flexible curtain features (maximum values)



Flap Doors

Solid, safe door with, in addition, easy and fast installation.
Ideal for small passage spaces

Simple, practical and reliable

Flap Doors is a solid swing door with flexible wings. Thanks to its absolutely reliable structure, it resolves the problems of energy savings and make passing through faster with opening devices of the wings in the manual version or servo-assisted versions with pneumatic and electro-pneumatic functioning.

Sturdy and reliable structure

The basic frame is made up of a robust metal structure in galvanized or stainless steel, thanks to the special press-formed and shaped profile which results in high levels of mechanical strength and flexibility.

The re-closing mechanisms consist of a torsion spring adjustable system, galvanized fastening plates; revolving floor drains are mounted on ball bearings.

It is available in a wide choice of (DIN 4102) totally transparent and self extinguishing, flexible curtains, or coloured PVC or anti-abrasion rubber. Frame fastening ends are appropriately strengthened.

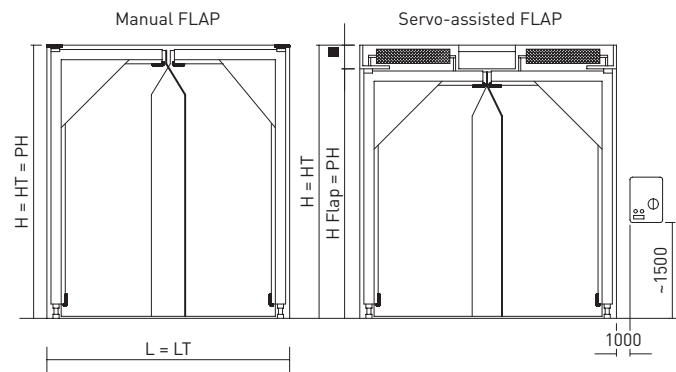
Versatile in its three versions

Standard, with push manual opening and spring closing.

Automatic, with a couple of pneumatic pistons placed in a thrust position compared to the opening, which, by means of a remote control actuate mono-directional wing opening. Closing is by spring.

An optional, "double effect" system is also available, to constantly control the perimeter of the system; opening, closing and stop are always managed by pneumatic logic.

Contact, in semi-automatic version. The door opens by a mechanical piston placed on each wing, applying pressure onto the curtains. Opening is two-directional, closing is by spring.



LEGEND	
L	Wall opening width
H	Wall opening height
H Flap	Flap height
LT	Automation total width
HT	Automation total height
PH	Vertical clear opening

CYLINDER		HD
Contact Ø 50 / Ø 63		140
Contact Ø 80		180
Automatic AM - AMD - AMP Ø 50 / Ø 63		140
Automatic AM - AMD - AMP Ø 80 / Ø 100		180
Automatic AB Ø 63 / Ø 100		120



Strip Curtains

Strip flexible doors

Easy passage and retention of luminosity

Maximum operational flexibility

Strip Curtains is the simple transparent PVC door, suitable to divide big and small spaces.

Thanks to its simplicity, it separates the various company departments with a practical and economic solution without losing luminosity, making it easy to pass from one to the other. It helps reduce loss of heat during transit because it opens just enough to let vehicle/people, etc. through.

Thanks to its high operational versatility Strip Curtains can satisfy any special requirement.

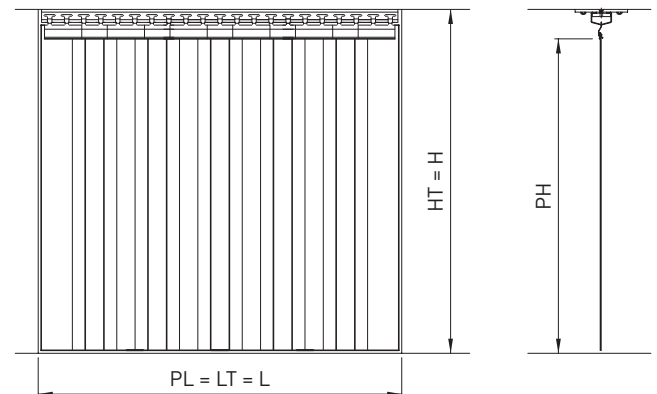
You can have it fixed or sliding on a straight-line track.

Quick connection

It is equipped with RAPID, the special quick fastening/unlocking system, which allows easy installation, quick unlocking of the strips with the possibility of drawing them to the side and placing them one on top of the other when the door is not used for a period of time or closing is not needed.

Main technical features

- RAPID system, with galvanized steel or AISI 304 stainless steel modular metal structure, enabling trouble-free assembling/disassembling of the strips. This system allows to change strip arrangement according to necessity and in idle periods, side tiding up is possible.
- Flat fitting bearings for under crosspiece fastening or corner fitting bearings for front fastening when no other installation solution is possible.
- Galvanized steel single or double tracks with flat and corner fitting bearings.
- Supplemental accessories.



LEGEND	
L	Wall opening width
H	Wall opening height
LT	Total width
HT	Total height
PL	Horizontal clear opening
PH	Vertical clear opening



Equipment and accessories

Every component has been designed, tested and assembled to achieve the maximum performance of the door.

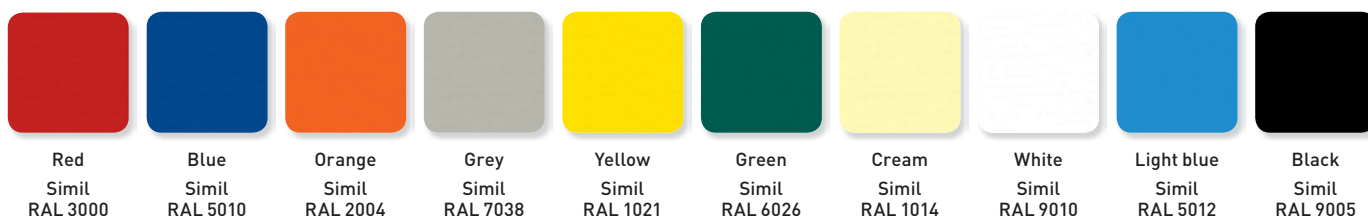
These automatic flexible doors will not only surprise you by their rationality and reliability, but also by the accessories which make them unique and incomparable in their product category

Description	Sector Reset	Smart Reset	Sector Plus	Smart Plus	Traffic C	Traffic CM
SAFETY						
Passive edge	■	■	■	■	■	■
Electromechanical sensitive edge			■	■	■	■
Safety rib, SOF self testing, TÜV certified			■	■	■	■
Sequential infra-red safety barriers	■	■	■		■	■
Electronic Safety Linear Encoder, SLE, device	■	■				
System with pneumatically controlled operation and sensitive edge (PL 5000 x PH 5000)			■			
METAL FRAME						
Complete cabling, including safety	■	■	■	■	■	■
Cover pack galvanised steel			■			
Cover pack in AISI 304 stainless steel			■			
Cover column pack galvanised steel		■				
Cover column pack in AISI 304 stainless steel		■				
Cover upper casing pack galvanised steel		■		■	■	
Cover upper casing pack AISI 304 stainless steel		■		■		
Cover casing pack galvanised steel					■	
Cover motor pack in galvanised steel		■		■		
Cover motor pack in AISI 304 stainless steel		■		■		
Metal frame in AISI 304 stainless steel	■	■	■	■		
Metal frame epoxy coating standard colours	■	■	■	■	■	■
Metal frame epoxy coating special colours	■	■	■	■	■	■
MOTOR						
Opening and closing Speed ≤ 0.7 m/s						■
Opening and closing Speed ≤ 0.8 m/s		■		■		
Opening and closing Speed ≤ 1.0 m/s	■		■			
Opening and closing speed ≤ 1.0 m/s (≤ 4500 x PH 4600) ≤ 0.7 m/s (> 4500 x PH 4600)					■	
INVERTER ^{motion} : opening ≤ 1.5 m/s – closing $0.4 \div 0.8$ m/s For Smart: PL 4000 x PH 4600 with complete curtain and module with max 2 sections in PVC		■	■	■		
INVERTER ^{motion} : opening ≤ 1.3 m/s – closing $0.4 \div 0.8$ m/s					■	
INVERTER ^{motion} : opening ≤ 2 m/s – closing ≤ 0.8 m/s	■					
Motor with special rustproof treatment and IP65 rated limit switch (no INVERTER ^{motion})					■	
Semi-automatic emergency reopening system	■		■		■	■
Emergency manual device whit motor crank usable from the ground		■		■		
Special RH side position		■		■		

Description	Sector Reset	Smart Reset	Sector Plus	Smart Plus	Traffic C	Traffic CM
TELO FLESSIBILE						
Standard see-through PVC window section, 980 x H 300, for full curtain	■	■	■	■	■	■
Super see-through PVC window section, 920 x H 1600 (excluding insulated curtain)	■	■				
Window sections in fine micro mesh	■	■	■	■	■	■
Double PVC see-through window section 980 x H 300 for full curtain			■	■		
Entire curtain of 900 g/m ² - approx. 0.7 mm thick	■	■	■	■	■	■
Curtain with modular sections for 900 g/m ² - approx. 0.7 mm thick (Sector and Smart PH max 5000)			■	■	■	
See-through PVC modular section			■	■	■	
Non-tear full polyester curtain of 1200 g/m ² - approx. 1 mm thick in blue and grey	■	■	■	■		
Insulated curtain Ug 4.0 W/m ² , K 3.5 mm thick in blue and grey	■	■				
Eco white RAL 9016 for polyester curtain - for food use	■	■				
Supplement for version with 4a reinforcement strip	■	■				
Special colour for polyester curtain (subject to confirmation)	■	■	■	■	■	■
ACCESSORIES						
Magnetic loop	■	■	■	■	■	■
Radar	■	■	■	■	■	■
433 MHz transmitter and receiver	■	■	■	■	■	■
Photocells	■	■	■	■	■	■
Buttons	■	■	■	■	■	■
Interlock	■	■	■	■	■	■
Traffic lights, red and green	■	■	■	■	■	■
Emergency devices: supplemental release devices	■		■		■	
Emergency devices: automatic anti-panic system for set-ups without <i>INVERTERmotion</i> (only for Traffic C and Traffic CM: PH > 4000 mm)	■		■		■	■
Emergency devices: UPS only with <i>INVERTERmotion</i> (only for Smart: PL max 4000 x PH 4600 and full curtain)	■	■	■	■	■	
Cycle counter kit	■	■	■	■	■	■
Protection in RAL 1023 yellow	■	■	■	■	■	■
Heating system for installations ≤ -20°C		■	■	■		

KEY: ■ optional ■ standard

Curtains - Standard available colours



OTHER COLOURS UPON REQUEST

DENNISON DOORS Limited

automatic doors

- sliding doors
- revolving doors
- swing doors
- air curtains
- 'operator only' systems

shutters

- roller shutters
- sliding shutters
- sectional doors
- concertina doors
- fire rated shutters

steel doors

- security doors
- vandal resistant doors
- fire exit doors
- sub-station doors
- certified doors

security grilles

- bar grilles
- window grilles
- window bars
- commercial property
- domestic property

barriers and gates

- swing gates
- sliding gates
- barriers
- automatic bollards
- parking systems

access control

- code locks
- card readers
- door intercom
- cards and tags
- system integration

pvc doors

- rapid roll doors
- high-speed doors
- pvc strip curtains
- grp doors
- polycarbonate doors

security cage

- modular solutions
- steel mesh storage
- multiple locking options
- perimeter protection
- steel panel options

services

- planned maintenance
- service contracts
- 24*7*365 call-out
- rapid response times
- BS7036 compliant